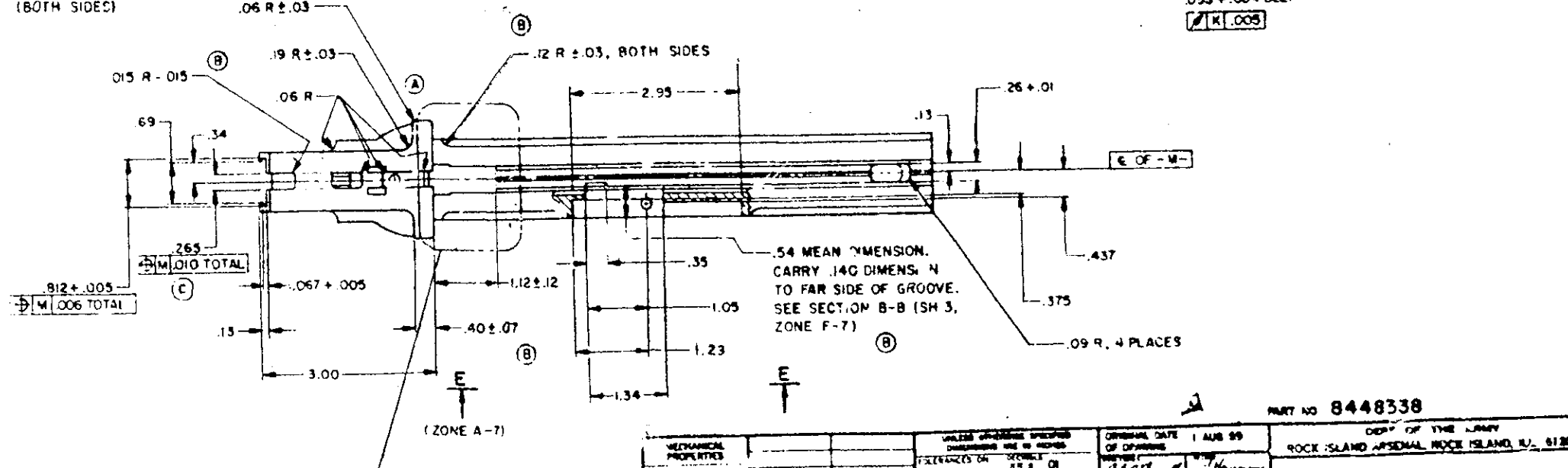
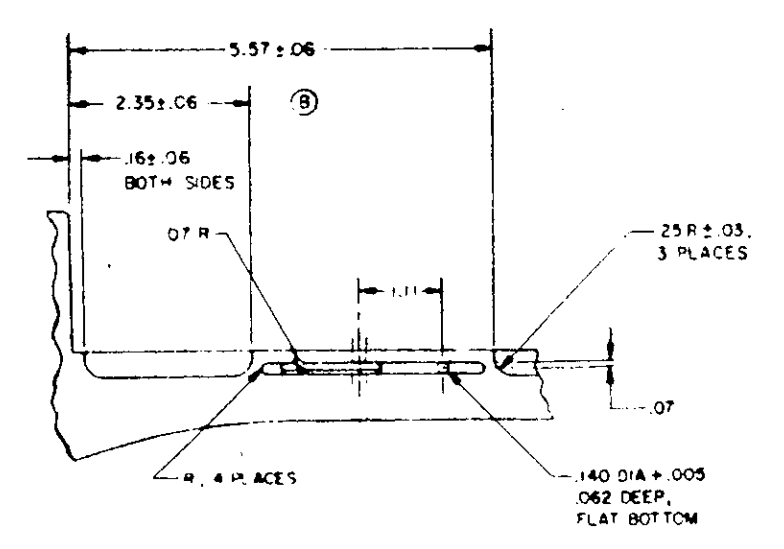
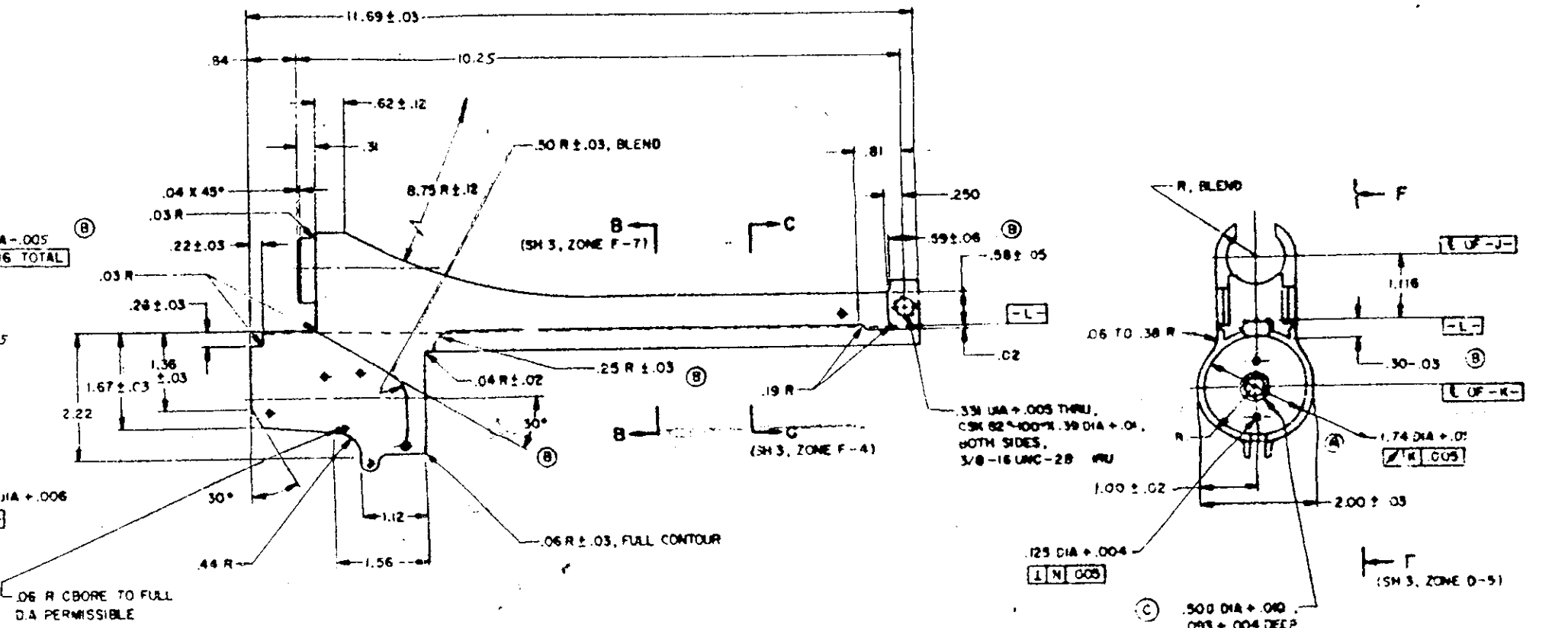
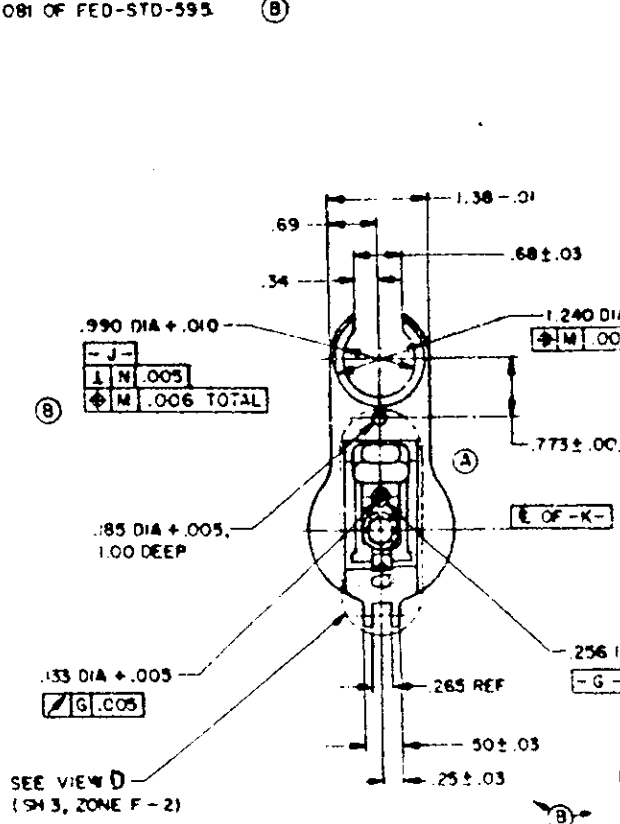
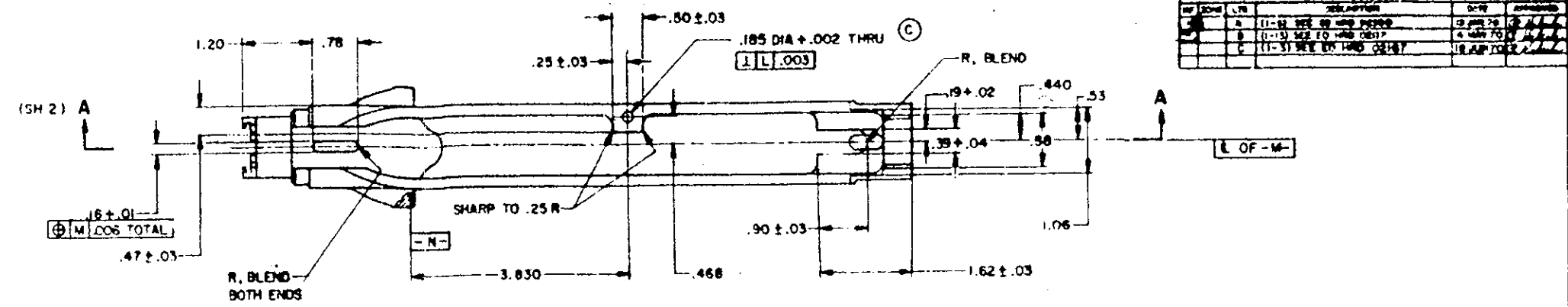


NOTES:

1. FINISH $\sqrt{25}$ UNLESS OTHERWISE SPECIFIED.
2. ALL EDGES SHALL BE BROKEN $.005 + .010$ UNLESS OTHERWISE SPECIFIED.
3. INSIDE CORNER RADII $.015 - .010$ UNLESS OTHERWISE SPECIFIED.
4. MATERIAL:
 - A. FOR WROUGHT MATERIAL:
AL ALY, 2024, TEMPER T4, SPEC QQ-A-225/6.
 - B. FOR FORGING MATERIAL:
AL ALY, 6151, TEMPER T6, SPEC QQ-A-367.
5. FINAL PROTECTIVE FINISH:
ANODIC FILM, TYPE III, CLASS 2,
MIL-A-8625. SEAL IN 1 1/4% AQUEOUS
SOLUTION OF NICKEL ACETATE AT 180°F
FOR 10 MINUTES. COLORED BLACK NO. 37038
TO DARK GRAY NO. 36081 OF FED-STD-595.

REV	NO	DATE	BY	APP'D
1	1	11-12	SEE DWG DESIG	
2	1	11-13	SEE DWG DESIG	
3	1	11-31	SEE DWG DESIG	



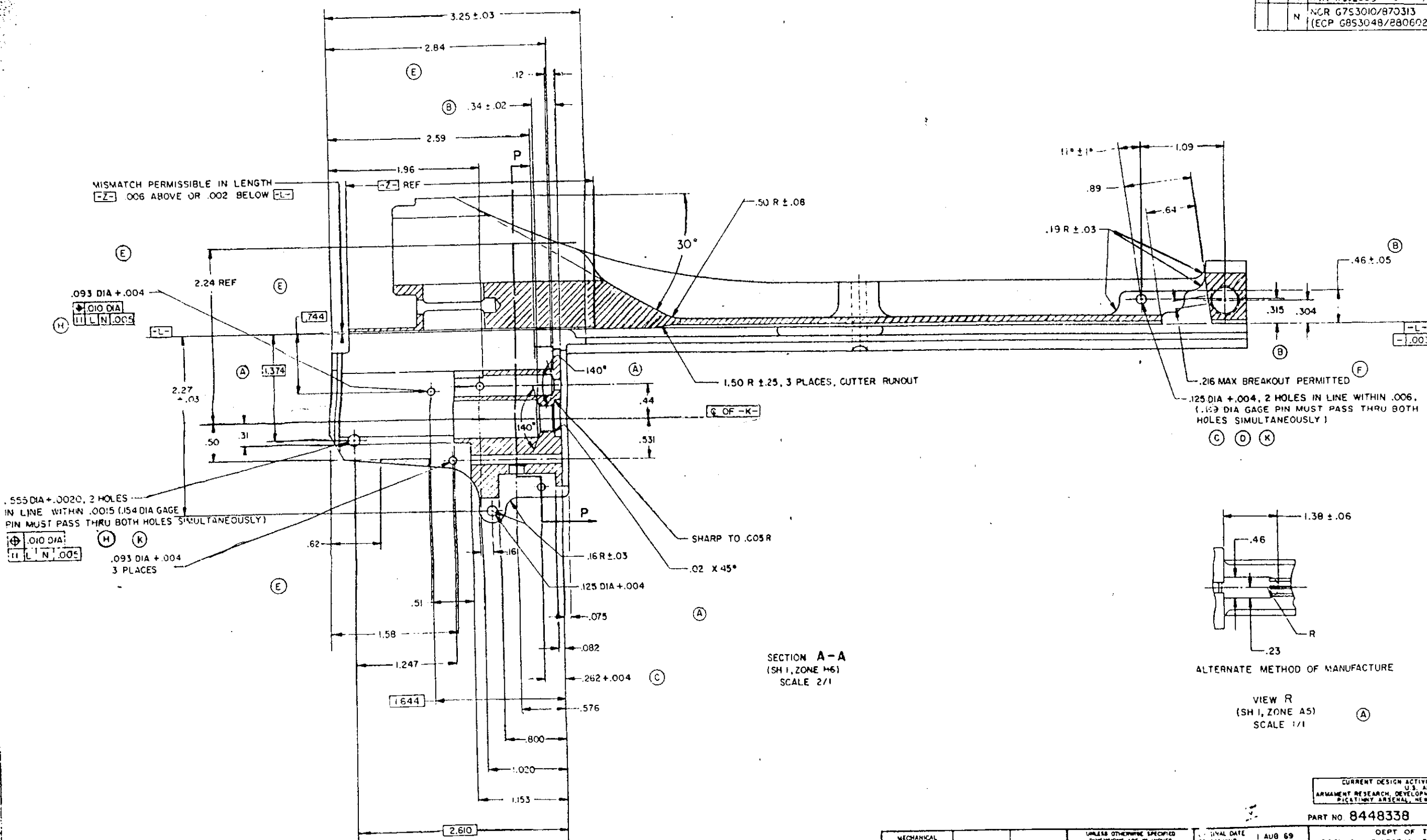
VIEW E-E
(SM 1, ZONE B-4)

SEE VIEW R
(SM 2, ZONE C-2)

MECHANICAL PROPERTIES		UNLESS OTHERWISE SPECIFIED		ORIGINAL DATE OF DYNAMIC TESTING		DEPT OF THE ARMY	
1	2024 AL	TOLERANCES UNLESS OTHERWISE SPECIFIED	SEE NOTE 4	1 AUG 59	ROCK ISLAND ARSENAL, ROCK ISLAND, ILL. 61201	RECEIVER	
2	LAUNCHER, GRENADE	FINISH	SEE NOTE 5			PART NO 8448338	
3	40 MM	APPLICATOR				F 10204 8448338	
4	M 203						

P438338

REV	ICONE	LYR	DESCRIPTION	DATE	APPROVED
A	(1-4)		SEE EO HRD 02108	13 JAN 70	
B	(1-3)		SEE EO HRD 02117	4 MAY 70	
C	(1-2)		SEE EO HRD 02167	18 JUN 70	
D	(1)		SEE EO HRD 02194, NOR 3, NOR 5	5 OCT 70	
E	(5)		SEE ERR MOR 10796	7 JUL 71	
F			SEE ERR MCR 20677	17 APR 72	
G			NO CHANGE	3 JUL 72	
H	(3)		SEE ERR MQR 20810	30 NOV 72	
J			NO CHANGE	15 FEB 73	
K	(2)		SEE ERR MOR 30649	2 MAR 73	
L			NO CHANGE	15 JUN 73	
M			NCR 1/852023		
N			NCR G753010/870313 (ECP G853048/880602)	6 JUN 73	



SECTION A-A
(SH 1, ZONE M6)
SCALE 2/1

VIEW R
(SH 1, ZONE A5)
SCALE 1/1

CURRENT DESIGN ACTIVITY CASE CODE: 9100
U.S. ARMY
ARMAMENT RESEARCH, DEVELOPMENT AND ENGINEERING CENTER
PICATUNNY ARSENAL, NEW JERSEY 07804-3000

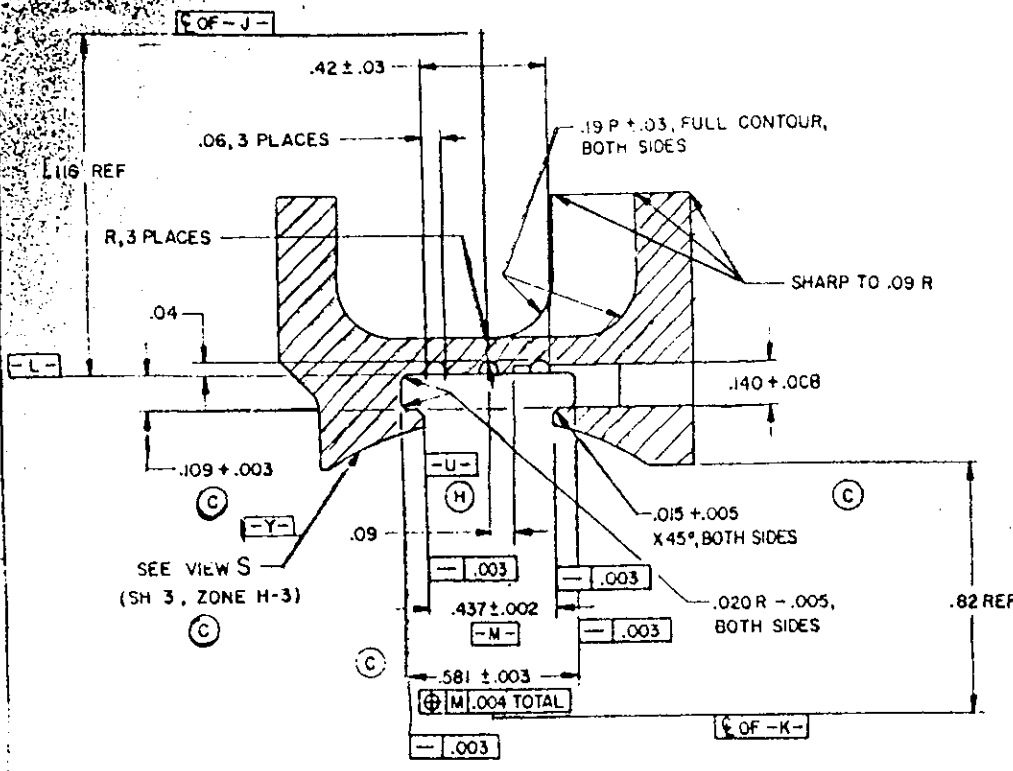
PART NO 8448338

MECHANICAL PROPERTIES	UNLESS OTHERWISE SPECIFIED DIMENSIONS ARE IN INCHES	ISSUAL DATE	DEPT OF THE ARMY
14	TOLERANCES UNLESS OTHERWISE SPECIFIED	1 AUG 69	ROCK ISLAND ARSENAL, ROCK ISLAND, ILL 61201
15	ANGLES ± 2°		
16	MATERIAL		
17	HEAT TREATMENT		
18	FINISH		
19	NEW ASSY		
20	APPROVED		
21	APPLICATION		
22	SCALE NOTED UNIT WT		
23	CODE IDENT NO		
24	8448338		
25	SHEET 2 OF 3		

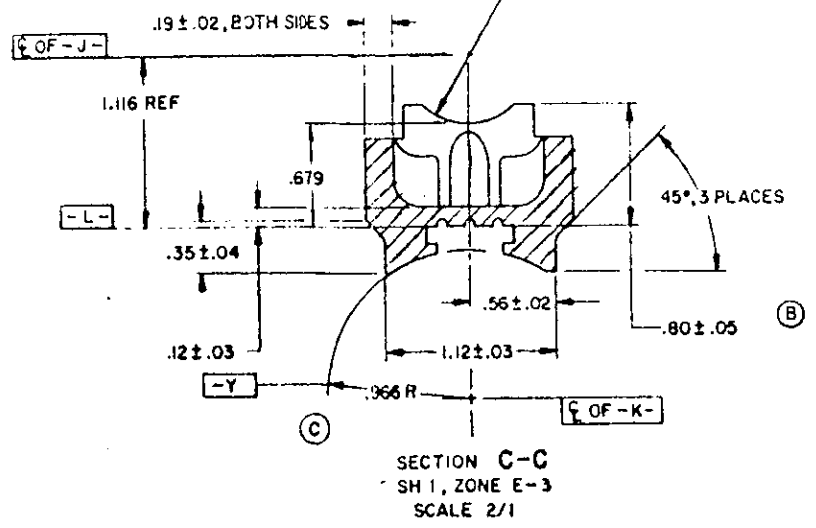
F8448338

M 203

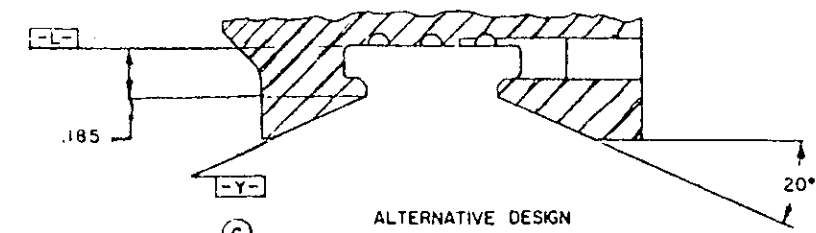
REV	ZONE	LR	DESCRIPTION	DATE	APPROVED
A	(1)	SEE TO HOD 92308		13 JAN 70	
B	(1-5)	SEE EQ 14D 02117		4 MAY 70	
C	(1-8)	SEE EQ 02167		18 JUN 70	
D		NO CHANGE		3 OCT 70	
E	(2)	SEE ERR HOR 10796		7 JUL 71	
F		SEE ERR HOR 20677		17 APR 72	
G	(1)	SEE ERR HOR 20728		31 JUL 72	
H	(1)	SEE ERR HOR 20810		30 NOV 72	
J	(1)	SEE ERR HOR 30642		6 FEB 73	
K		NO CHANGE		2 MAR 73	
L		NO CHANGE		16 JUN 73	
N		NOR G753G10/870313		881103	



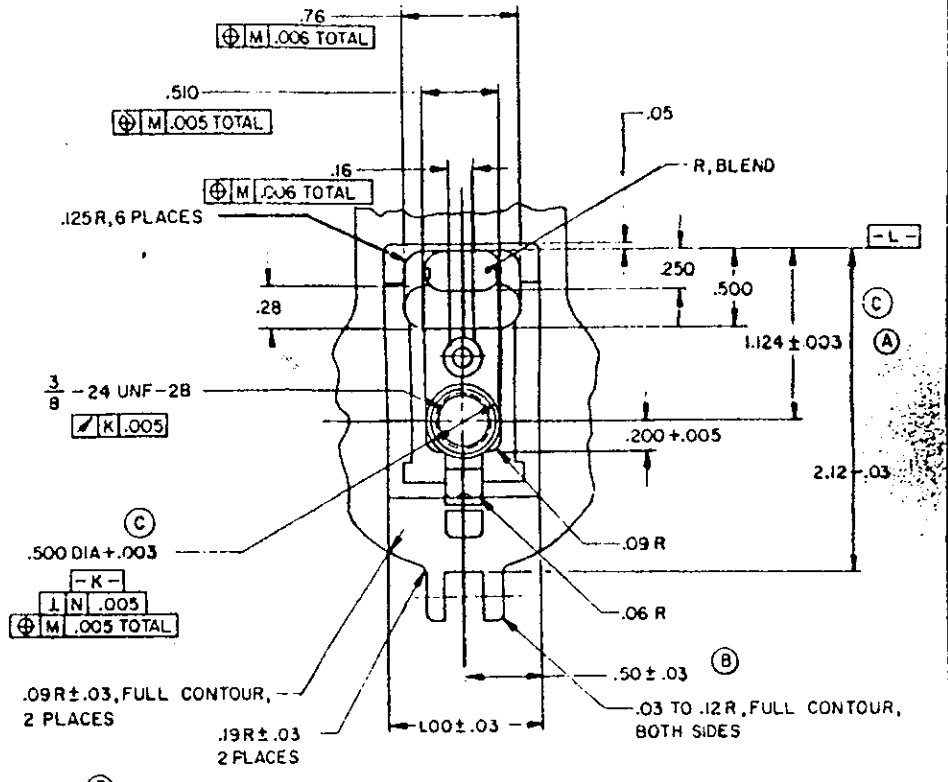
SECTION B-B
SH 1, ZONE E-4
SCALE 4/1



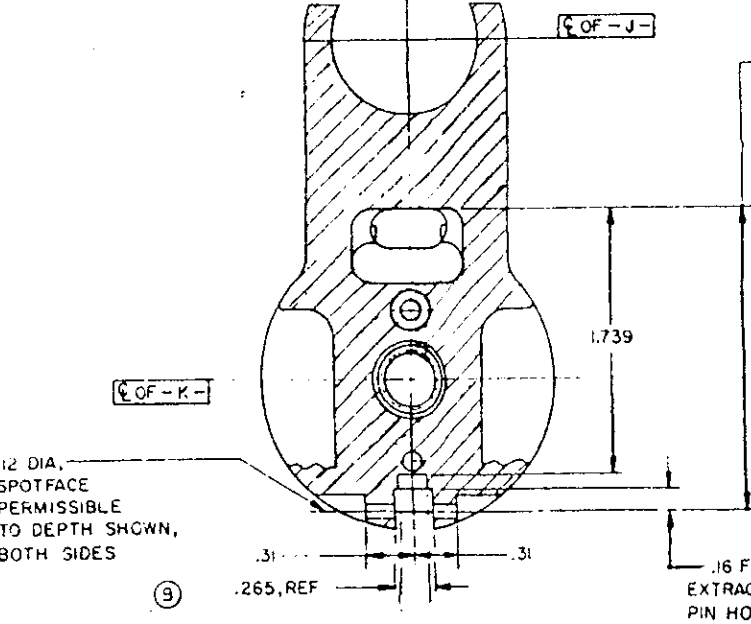
SECTION C-C
SH 1, ZONE E-3
SCALE 2/1



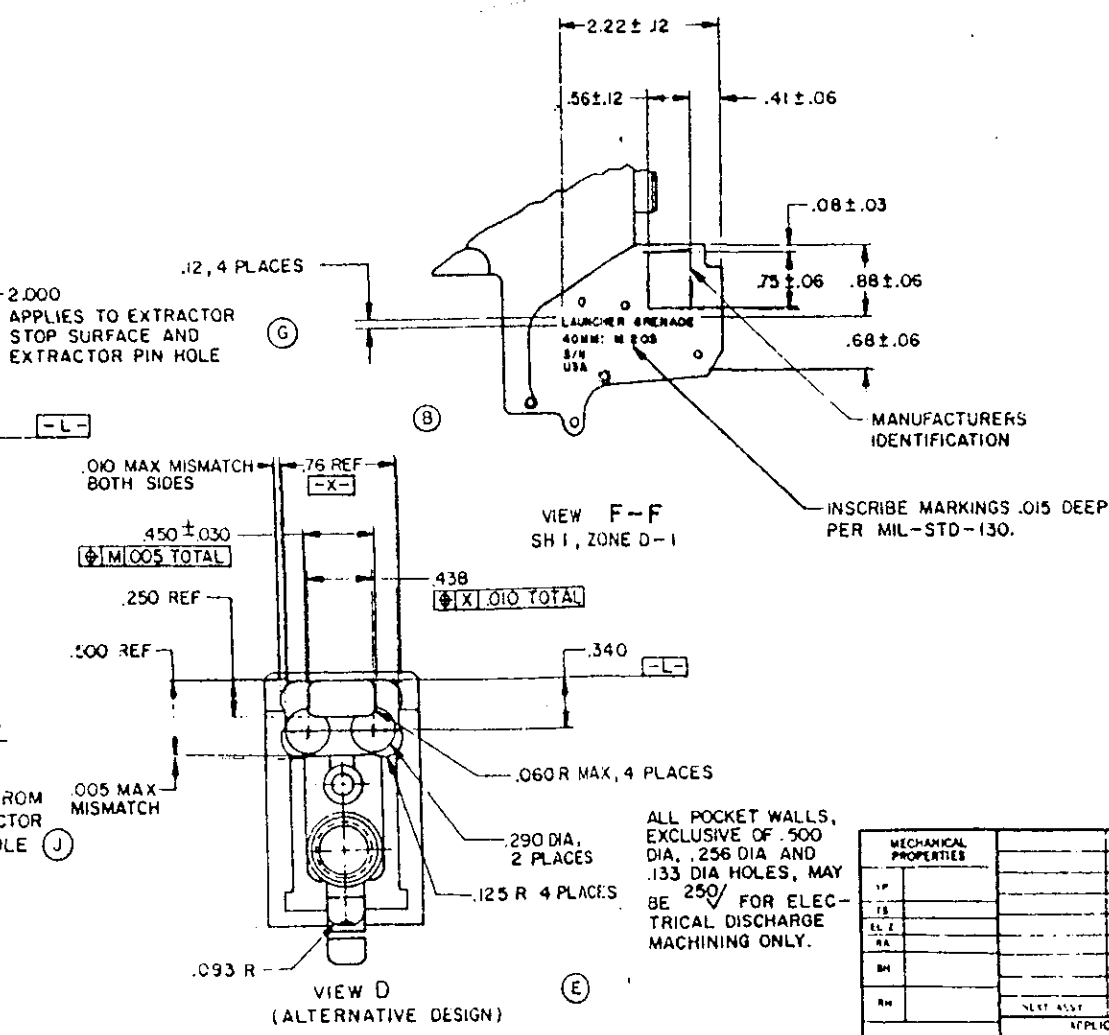
ALTERNATIVE DESIGN
VIEW S (SH 3, ZONE F-8)
SCALE: 4/1



VIEW D
SH 1, ZONE D-7
SCALE 2/1
FOR ALTERNATIVE DESIGN
SEE ZONE B5



SECTION P-P
SH 2, ZONE D-6
SCALE 2/1



VIEW F-F
SH 1, ZONE D-1

VIEW D
(ALTERNATIVE DESIGN)

ALL POCKET WALLS, EXCLUSIVE OF .500 DIA, .256 DIA AND .133 DIA HOLES, MAY BE 250 FOR ELECTRICAL DISCHARGE MACHINING ONLY.

MECHANICAL PROPERTIES		UNLESS OTHERWISE SPECIFIED DIMENSIONS ARE IN INCHES		ORIGINAL DATE OF DRAWING
VP		TOLERANCES UNLESS OTHERWISE SPECIFIED		1 AUG 69
IS		ANGLES ± 2'		
RA		MATERIAL		
BH		HEAT TREATMENT		
RM		FINISH		
APPLICATION		FINISH PROTECTIVE FINISH		

CURRENT DESIGN ACTIVITY CAGE CODE 19200 U.S. ARMY ARMAMENTS RESEARCH, DEVELOPMENT AND ENGINEERING CENTER PICATINNY ARSENAL, NEW JERSEY 07804-2000

PART NO: 8448338

DEPT OF THE ARMY
ROCK ISLAND ARSENAL, ROCK ISLAND, ILL 61211

RECEIVER

SCALE NOTED UNIT WT SHEET 3 OF 3

F8448338